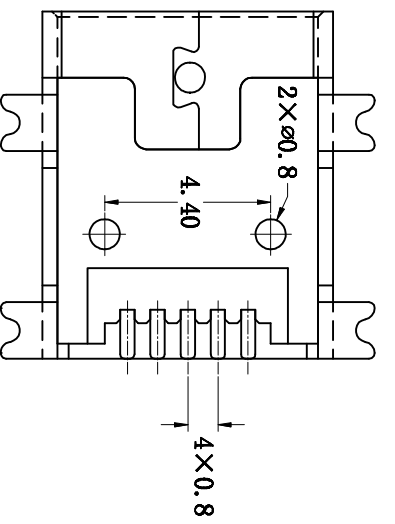
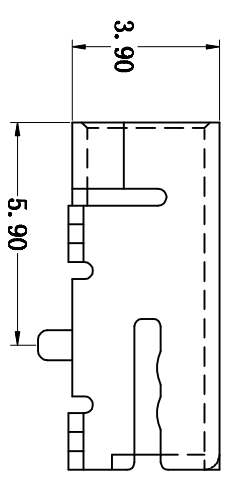
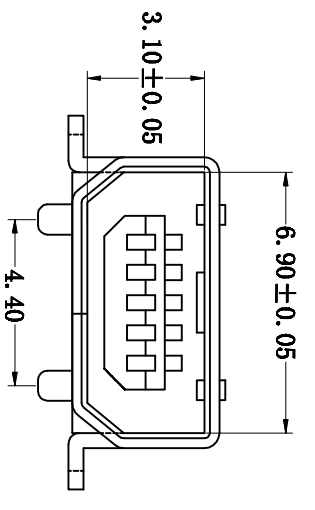
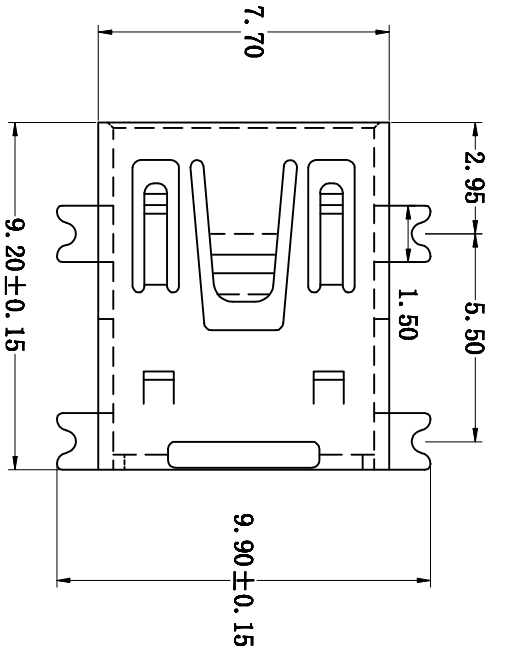
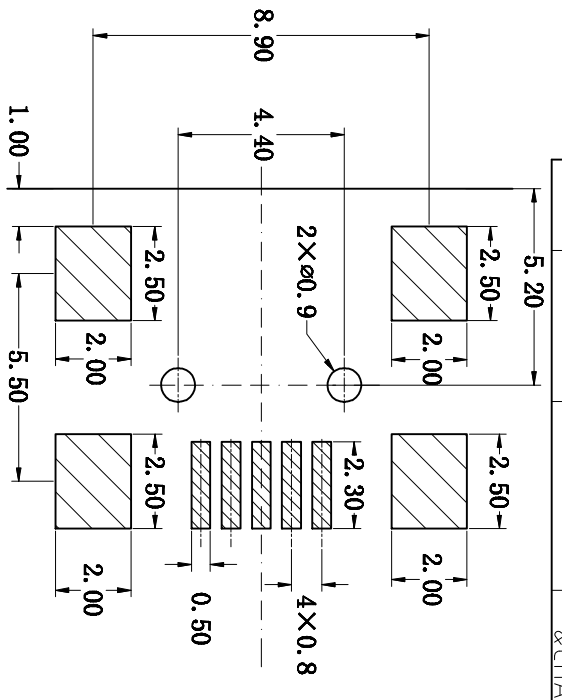


PART NUMBER	ESB35101000Z 838C360SJU55AB102F
-------------	------------------------------------



VER.	DATE	MOD. NO.	DESCRIPTION	DRA.	CHE.	APP.
B	2022.09.29		NOTES REVISE	YI-CHIEH CHANG	GARY KUO	GARY KUO
A	2023.05.10		SIZE MODIFICATION & CHANG PART NUMBER	XIU-CHUN ZHANG	GARY KUO	GARY KUO



PC Board Layout Component Side Shown

NOTES:

- 1.MATERIAL:  
TERMINAL-COPPER ALLOY.  
SHIELD-BRASS OR SPCC.  
HOUSING-LCP UL94V-0.
- 2.PLATING:  
CONTACT AREA-SELECTIVE GOLD PLATING.  
TAILS-TIN PLATING OVER NICKEL.  
SHIELD-NICKEL PLATING.
- 3.ELECTRICAL:  
VOLTAGE RATING 30 VAC RMS.  
CURRENT RATING: 1.0 AMP  
CONTACT RESISTANCE: 50 MILLIOHMS MAX  
INSULATION RESISTANCE 1000 MEGOHMS MIN @500 VDC  
DIELECTRIC STRENGTH 100 VAC RMS 60 HZ, 1 MIN  
OPERATING LIFE 2000 CYCLES MIN  
STORAGE -40° C TO +85° C  
OPERATION: -40° C TO +85° C  
WAVE SOLDERING TEMPERATURE 250-260(3~5 SECONDS)  
ROHS COMPLIANT.

GENERAL TOLERANCE		DATE	2023.05.10	UNIT	mm	DRAWER	XIU-CHUN ZHANG	SERIES	ESB3	FLASH
X.	±0.3	SCALE	5:1			CHECKER	GARY KUO	ESB35		EXCEL CELL ELECTRONIC CO., LTD.
X.X	±0.2	ASSEMBLY NO.				APPROVER	GARY KUO			
X.XX	±0.1	REFERENCE								
ANGLE										
X.	±5°									
X.X	±2.5°									

FRAME	A3	REVISION	C	SH.	1 OF 1

